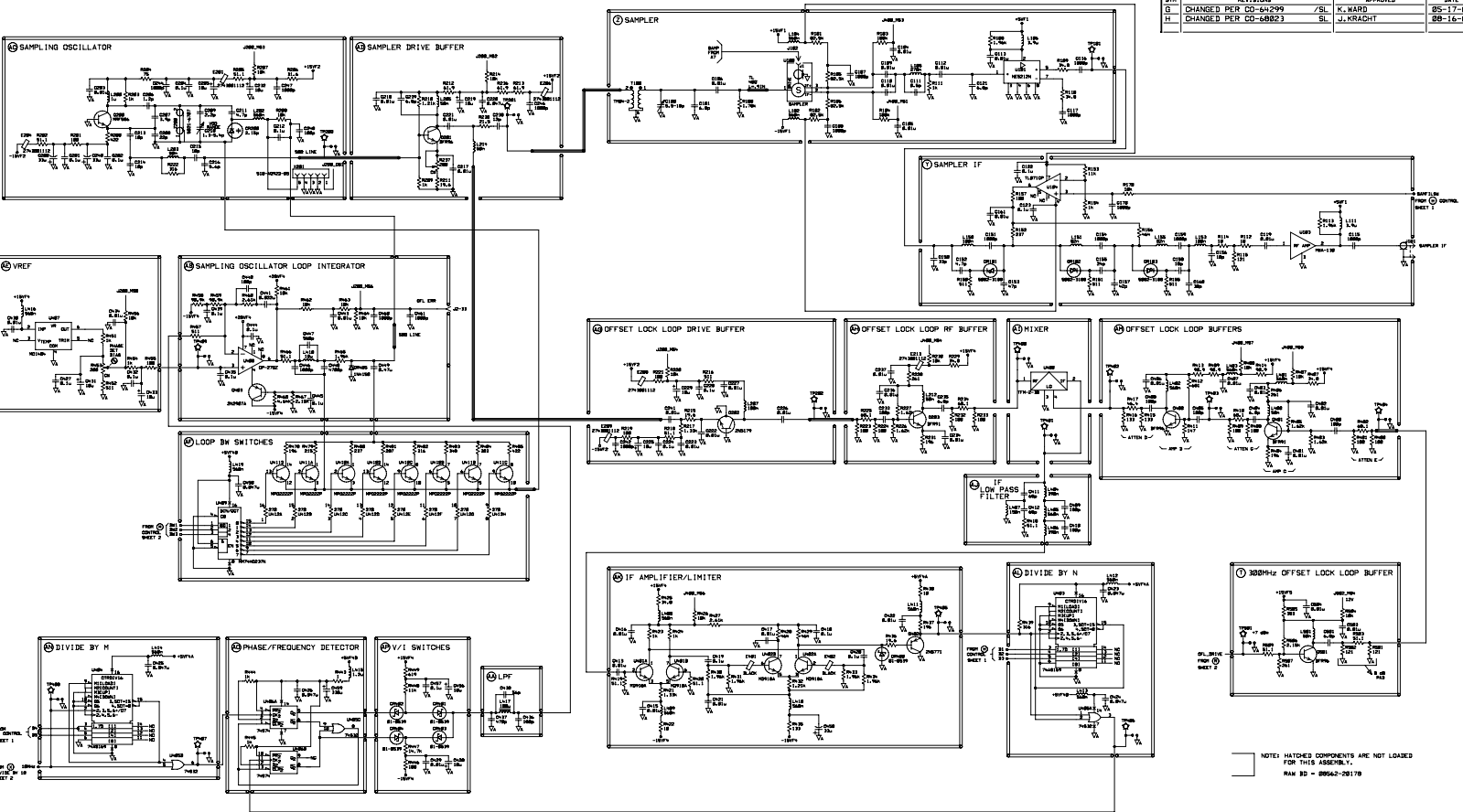


5328 HA 3528		D-08562-60178-1	
REV	REVISIONS	APPROVED	DATE
I	CHANGED PER CD-64299	/SL K. WARD	05-17-91
II	CHANGED PER CD-68623	BL J. KRADT	08-16-91



NOTE: HATCHED COMPONENTS ARE NOT LOADED FOR THIS ASSEMBLY.  
RAW 00 - 08562-20178

UNUSED PACKAGES



AGILENT TECHNOLOGIES  
RESTRICTED  
THIS DOCUMENT CONTAINS CONFIDENTIAL  
PROPRIETARY INFORMATION THAT IS  
AGILENT TECHNOLOGIES PROPERTY. DO NOT  
DISCLOSE TO OR DUPLICATE FOR OTHERS EXCEPT  
AS AUTHORIZED BY AGILENT TECHNOLOGIES.

DAVE LUIZ	10-28-94	DATE
DAVE LUIZ	10-28-94	DATE
BRYAN CROSS	07-18-95	DATE
10-1	REV	DATE
05-16-80	REV	DATE

SCHMATIC, PWA  
RADIO FREQUENCY  
BOARD, OCXO

4386u178	FILENAME	AGILENT
SCALE	None	
3 of 4	SHEET	D-08562-60178
1	PART NUMBER	
D-08562-60178-1		TITLE